

## Gas filled thermometers FTh 160 Ch

Part no. 64403482

gas filled thermometer for chemical applications

### benefits

- for chemical, process engineering and food industry applications
- high measuring accuracy
- fast response

### Application

For corrosive media. Meets the most exacting measuring demands, e.g. in process engineering as well as chemical and food industry applications.

### Technical Specifications

**Type**  
D4

**Nominal size**  
160

**Measuring principle**  
Pressurised gas filling

**accuracy class**  
1 (EN 13190)

**ranges °C**  
0/500

**Application area (EN 13190)**  
continuous load: Full scale value  
short-term: 1.1 x full scale value

**Operating pressure at thermowell**  
max. 10 bar (Up to 300 °C)

**Degree of protection**  
IP 65 (EN 60529)

### Connection

Stem: Stainless steel 321, Ø 10 mm, plain

**mounting position**  
every angle version

**Dial**  
Aluminium, white  
Scaling: black

**Pointer**  
Aluminium, black

**Zero correction**  
at the side

**movement**  
Brass

**Housing**  
Stainless steel 304

**bayonet bezel**  
Stainless steel 304

**window**  
Instrument glass

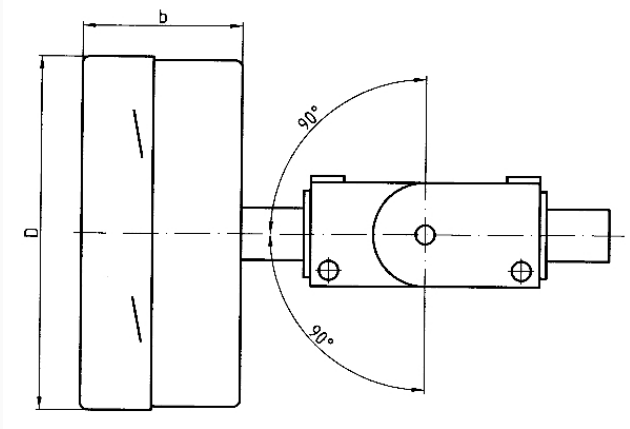
### Options

- Every angle version
- Grooved nut connection as per DIN 11851
- other connection designs

- other nominal sizes
- other ranges
- special scales
- Glycerine filling (type D8)
- back flange
- 3-hole fixing, panel mounting bezel
- Capillary (stainless steel 321)
- special materials
- Electrical contacts

**Technical Drawings**

**Every angle version**



**Dimensions (mm)**

| NG  | b  | D   |
|-----|----|-----|
| 100 | 45 | 101 |
| 160 | 45 | 161 |

**Versions**

| Type       | housing ø | Range    | Type       | Type | Part no. |
|------------|-----------|----------|------------|------|----------|
| FTh 160 Ch | 160 mm    | 0/500 °C | FTh 160 Ch | D482 | 64403482 |

- in-stock items
- Non-stock items