



Standard capsule pressure gauges KP160

Part no. 35171411

Standard capsule pressure gauges Type D4

benefits

- with zero correction
- optional overpressure and/or underpressure safety 10 x FSD
- extremely low measuring ranges from 0/6 mbar
- GOSSTANDART-certified

Application

For gaseous, dry media which do not attack copper alloys.

! For measuring gas or vapour, observe the table "Selection Criteria as per EN 837-2" (see appendix)!

Technical Specifications

Type
D4

Nominal size
160

accuracy class (EN 837-3/6)
1.6

ranges (EN 837-3/5)
see ordering table

application area
static load: Full scale value
dynamic load: 0.9 x full scale value
overload safety: 1.3 x full scale value

Operating temperature range
Medium: max. 60 °C
Ambient: -20/+60 °C

Temperature performance

Indication error when the temperature of the measuring system deviates from the normal temperature of 20 °C:
at rising temperature approx. $\pm 0.6 \%/10 \text{ K}$
falling temperature approx. $\pm 0.6 \%/10 \text{ K}$
of full scale value

Degree of protection
NG 160
IP 33 (EN 60529)

Connection
Brass, centre back

Measuring element
Capsule element, CuBe alloy

movement
Brass

Zero correction
from the front

Seal
NBR (Perbunan)

Dial
Aluminium, white
Scaling: black

Pointer
Aluminium, black

Housing
Stainless steel 304

bayonet bezel
Stainless steel 304

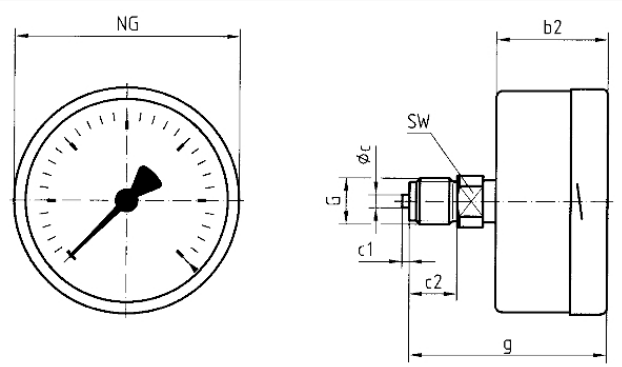
window
D411
Instrument glass

Options

- overpressure and underpressure safety 10 x FSD
- back flange
- Panel mounting bezel, with window, plastic
- 3-hole fixing, panel mounting bezel with window, plastic
- throttle screw
- Reference pointer
- special scales
- other process connections

Technical Drawings

Centre back connection



Dimensions (mm)

| NG | b2 | ∅c | c1 | c2 | G | g | SW |
|-----|----|----|----|----|---------------------------------|----|----|
| 63 | 37 | 5 | 2 | 13 | G ¹ / ₄ B | 60 | 14 |
| 100 | 49 | 6 | 3 | 20 | G ¹ / ₂ B | 81 | 22 |
| 160 | 50 | 6 | 3 | 20 | G ¹ / ₂ B | 82 | 22 |

Versions

| Range | Mounting type | Type | | Part number |
|------------|---------------|---------------|-----------------------|-------------|
| 0/250 mbar | direct | KP160 D411 | <input type="radio"/> | 35171411 |

- in-stock items
- Non-stock items