



## Bourdon tube pressure gauge RF63 ax

**Part no. 63536**

**Bourdon tube pressure gauge RF for heating/plumbing**

### benefits

- with self-sealing connection thread (NG 50 and 63) for fast mounting
- corrosion-resistant housing

### Application

For gaseous and liquid media which are not highly viscous, do not crystallise and do not attack copper alloys and EPDM.  
! For measuring gas or vapour, observe the table "Selection Criteria as per EN 837-2" (see appendix)!

### Technical Specifications

#### Nominal size

63

#### accuracy class (EN 837-1/6)

2.5

#### ranges

0/2.5 bar

#### application area

static load:  $\frac{3}{4}$  x full scale value  
dynamic load:  $\frac{2}{3}$  x full scale value  
short-term: Full scale value

#### Operating temperature range

Medium: max. 60 °C  
Ambient: -20/+60 °C

#### Temperature performance

Indication error when the temperature of the measuring system deviates from the normal temperature of 20 °C:  
at rising temperature approx.  $\pm 0.4 \%$ /10 K  
falling temperature approx.  $\pm 0.4 \%$ /10 K  
of full scale value

#### Degree of protection

IP 32 (EN 60529)

#### Connection

Brass, centre back  
NG 63  
G $\frac{1}{4}$ B, Self-sealing with PTFE sealing ring

#### Measuring element

Bourdon tube, "C" type tube  
Copper alloy

#### movement

Brass

#### Dial

Plastic, white  
Scaling: black

#### Pointer

Plastic, black

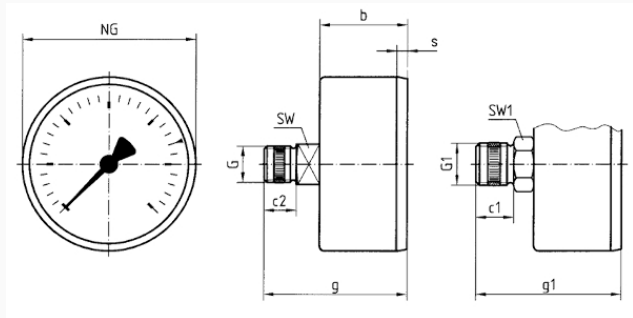
#### Housing

Plastic (ABS), black, highly impact-resistant and corrosion-resistant

**window**  
Plastic, clipped in  
NG 63

**Technical Drawings**

**RF/HZ 63 – centre back connection**



**Dimensions (mm)**

NG	b	c1	c2	g1	g2	G	G1	s	SW	SW1
63	30,4	13	11,5	49,9	50,4	G¼B	G¾B	3,7	14	17

**Versions**

	housing ø	Connec- tion	Connec- tion	Thread	alignment	Range	Type		Part no.
RF63	63 mm	G¼B		Self-sea- ling with PTFE sealing ring	centre back	0/2.5 bar	RF63 ax	●	63536

- in-stock items
- Non-stock items