

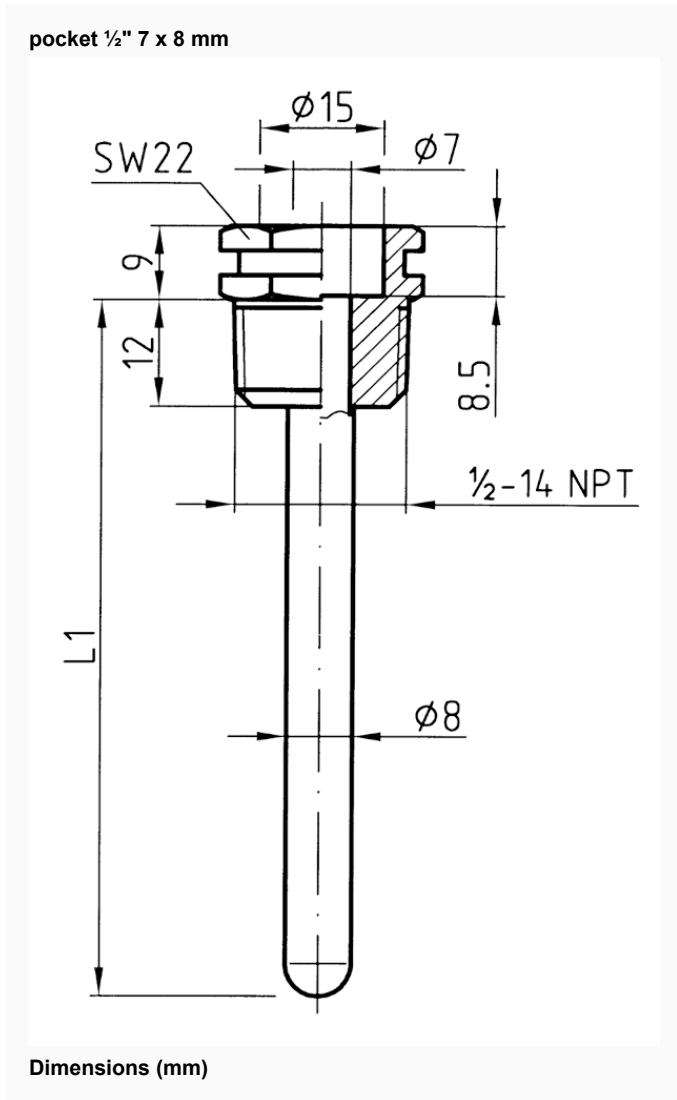


Pocket 1/2" 7 x 8 mm

Part no. 67324N

pockets for thermometers and thermostats with capillary tube

Technical Drawings



Versions

Type	material	stem			Stem length L1		Part no.
		inside ø	outside ø				
Pocket 1/2" 7 x 8 mm	Brass/Cu alloy, nickel-plated	7 mm	8 mm	200 mm	●	67324N	

- in-stock items
- Non-stock items