

Diaphragm seal MD 80

Part no. 31388W

Diaphragm seal MD 80 Flange version

benefits

- flush, welded diaphragm
- for DIN and ASME flange connections
- numerous special materials and coatings (option)
- with bottom instrument connection as cell design (option)

Application

For mounting to Bourdon tube pressure gauges, pressure transducers or pressure switches. For corrosive, highly viscous, polluted, crystallising or hot media. Typical application areas:

Chemical Industry

Petrochemistry

Refineries

Power plant engineering

Technical Specifications

Process connection/tubus

Stainless steel 316 L

flange connection as per EN 1092-1 type B 1

diaphragm

Stainless steel 316 L

Instrument connection

Welded connection

pressure transmission liquid

Paraffin oil (FM 09), FDA-listed

pressure range

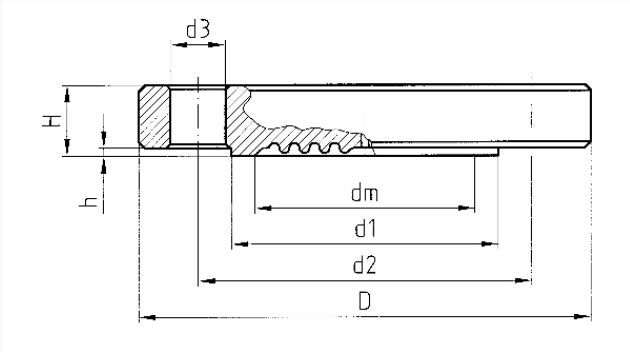
see overview of versions

Nominal pressure

PN 40

Technical Drawings

Type MD 80 - flange connection as per EN 1092-1 type B 1



DN	PN	D	d1	d2	d3	H	h	dm
25	40	115	68	85	4x14	18	2	28
40	40	150	88	110	4x18	18	2	48
50	40	165	102	125	4x18	18	2	48
80	40	200	138	160	8x18	24	2	48
100	40	235	162	190	8x22	24	2	48

Versions

Process connection	standard	Instrument connection	Nominal pressure	minimum range* (in bar) at nominal size					Part no.	
				63	100	160	DMU	DMU 13 Vario		
DN 100	flange connection as per EN 1092-1 type B 1	Welded connection	PN 40	0.6 bar	0.6 bar	0.6 bar	0.6 bar	0.6 bar	●	31388W

● in-stock items

● Non-stock items