

Diaphragm seal MD 56 BioControl® D50

Part no. 31411W

Diaphragm seal MD 56 NEUMO BioControl®

benefits

- defined installation and press-fitting with metal stop
- medium cannot get behind the seal
- SIP/CIP enabled

Application

Flange type diaphragm seal MD 56 for sterile process separation of pressure measuring and control units in pipes or tanks. For mounting to Bourdon tube pressure gauges, pressure transducers and pressure switches. For installation in sterile processes without dead spaces. Typical application areas:

Sterile applications in process engineering
Pharmaceutical industry
Biotechnology
Food and beverages industry
Beverage machines
Dairies
Breweries

Description

All materials used are FDA-listed. Defined installation as per EHEDG hygienic design recommendations. The chemical seal and the measuring instrument are welded together, resulting in an inseparable single, shock- and vibration-resistant unit without external edges that might collect dirt. The chemical seals are available with nominal diameters 25, 50, 65, 80; due to their compact design, they are suitable for a wide range of applications.

Technical Specifications

Process connection

Stainless steel 316 L
NEUMO BioControl®
D50

diaphragm

Stainless steel 316 L

material (wetted parts)

Stainless steel 316 L, EPDM
USP CLASS VI classified, FDA-listed

surface roughness R_a

≤ 0.8 μm

Seal

EPDM

Instrument connection

Welded connection

pressure transmission liquid

Paraffin oil (FM 09), FDA-listed

Options

- other materials
- electropolished
- Cooling element
- capillary
- other filling liquids
- Accessories such as housing, block flange and seals

pressure range

see overview of versions

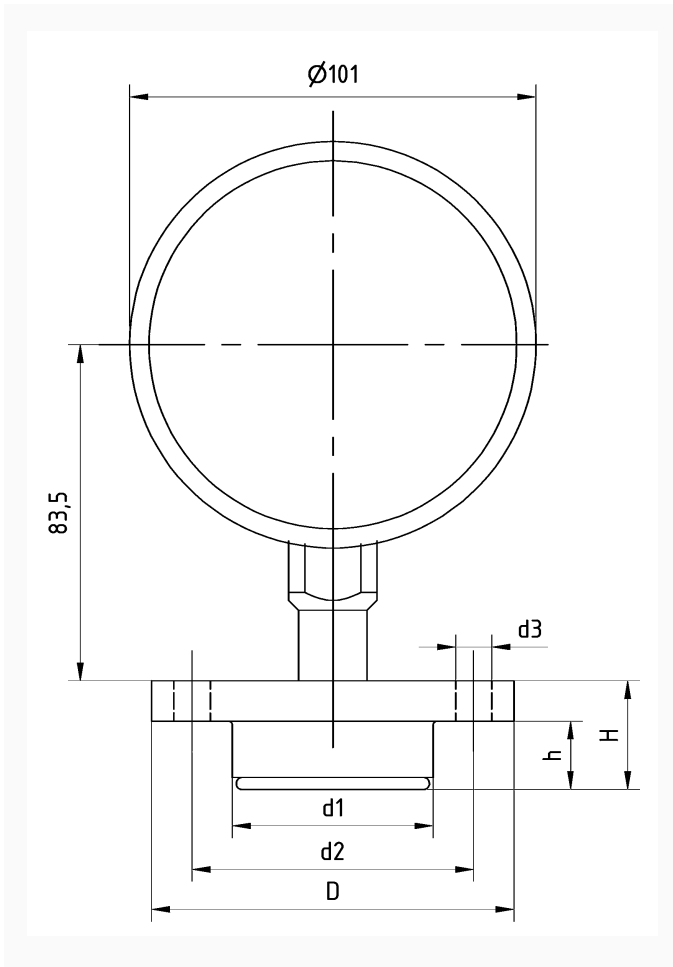
Nominal pressure

PN 16

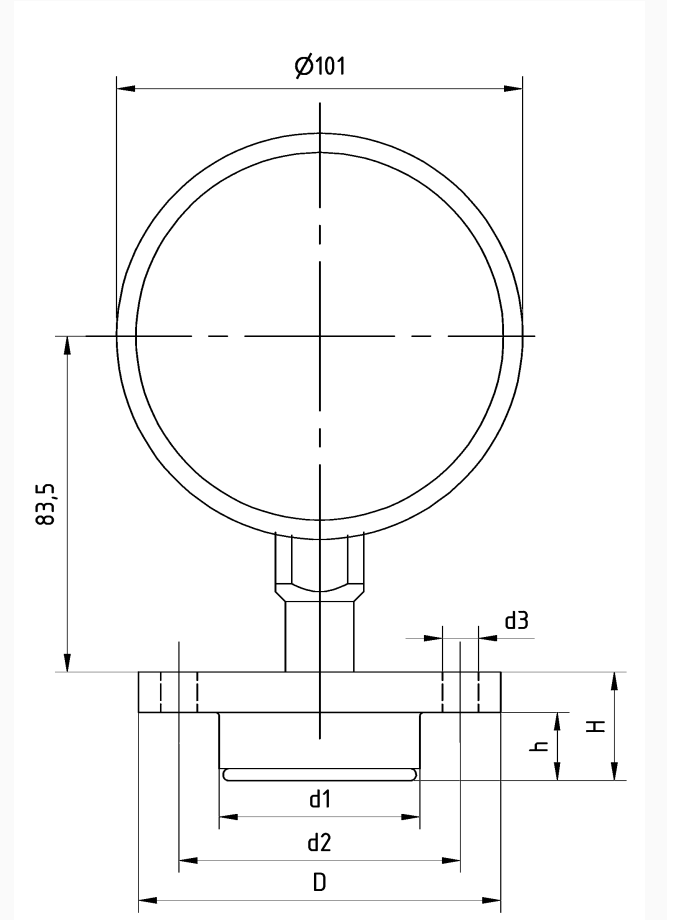
Can be mounted to

- Bourdon tube pressure gauges NG 50, 63, 80, 100, 160
- Pressure transducers (DMU)
- Pressure switches (DS)

Technical Drawings



Pressure gauge NG 100 with MD 56




An- schluss	D	d1	d2	d3	H	h
BioCon- troll® D25	64	30,4	50	4 x $\varnothing 7$	20	11
BioCon- troll® D50	90	49,9	70	4 x $\varnothing 9$	27	17
BioCon- troll® D65	120	67,9	95	4 x $\varnothing 11$	27	17
BioCon- troll® D80	140	87,4	115	4 x $\varnothing 11$	37	25

Versions

Process connection	standard	Instrument connection	Nominal pressure	minimum range* (in bar) at nominal size					Part no.
				63	100	160	DMU	DMU 13 Vario	
D50	NEUMO BioControl®	Welded connection	PN 16	0.6 bar	0.6 bar	0.6 bar	0.6 bar		31411W

 in-stock items

 Non-stock items