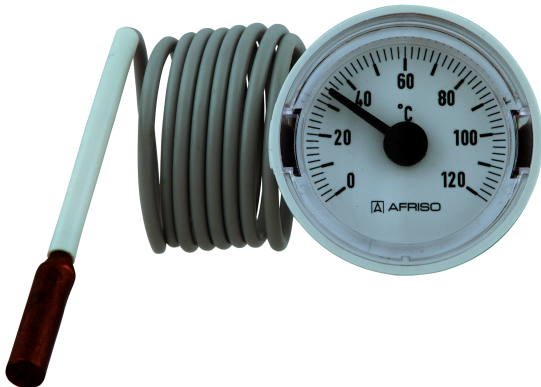


Thermometers THK 37

Part no. 67512105

Thermometers with capillary tube



benefits

- ideal for boilers and water heaters
- corrosion-resistant, highly impact-resistant plastic housing
- many customised versions available

Application

Heating and plumbing, e.g. boilers, water heaters, hot water storage tanks

Technical Specifications

Nominal size

37

Range

0/120 °C

Accuracy/test point

50 °C = ± 3 °C

Measuring principle

Liquid filling

Operating temperature range

Medium: Full scale value

Ambient: max. 70 °C

Operating pressure

without pressure

Degree of protection

IP 32 (EN 60529)

Options

- Dial with customer logo
- various capillary lengths
- special colours for housing, dial, pointer

Connection

Probe: \varnothing 6 x 30 mm, Copper

Capillary tube: Copper with PVC coating (R3, grey)

Dial

Plastic, white

Scaling: black

Pointer

Plastic, black

Housing

Plastic (ABS), grey

Bezel

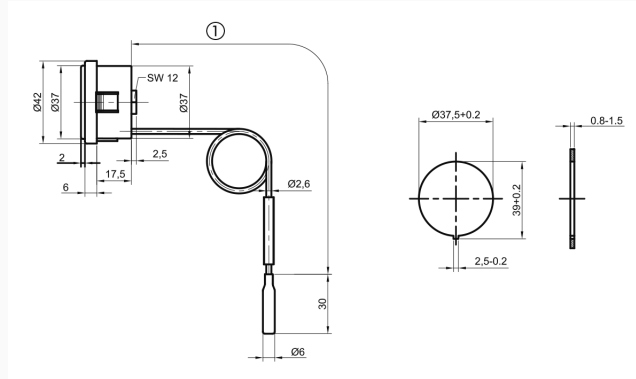
THK 37

capillary length

500 mm

Technical Drawings

Type THK 37



Dimensions (in mm)
capillary length

Versions

Nomi- nal size	Nomi- nal size	Hou- sing	push on bezel	Pointer	Dial	Scale	Range	capil- lary length	Type	Part no.
37 mm		grey		black	white	black	0/120 °C	500 mm	THK 37	● 67512105

- in-stock items
- Non-stock items